

**REGULATION | TESTS**

The article **ACRUX EUROGROOVE DOOR HINGE** has been tested according to standards:

**UNE-EN 1191:2000.** Windows and doors - Resistance to repeated opening and closing - Test method

**UNE-EN 12400:2002.** Windows and pedestrian doors - Mechanical durability - Requirements and classification.

The tests and results are the following:

CLASS	CYCLES	USE
6	200.000	FREQUENT

The values we include inside this table have been obtained in **APPLUS +** Laboratory following standard UNE-EN 12400:2002 complying with the procedure written in the mentioned standard.



**REFERENCES**

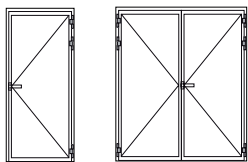
<b>010</b>	<b>D</b> <b>I</b>	<b>**</b>	ACRUX HINGE (2 FLAGS)
<b>P010</b>	<b>D</b>	<b>**</b>	ACRUX HINGE (3 FLAGS)
<b>STC-MC-0011</b>			VERTICAL ADJUSTMENT PIECE

\*\* FINISHES    **D** RIGHT HAND    **I** LEFT HAND

**MATERIALS**

- **Body**, extruded aluminum
- **Counterplates**, extruded aluminum
- **Shaft**, AISI 303 steel
- **Wear washer**, POM (Delrin 100)
- **Cap**, PA6 polyamide
- **Bushing**, PA6 polyamide + 30% fiberglass

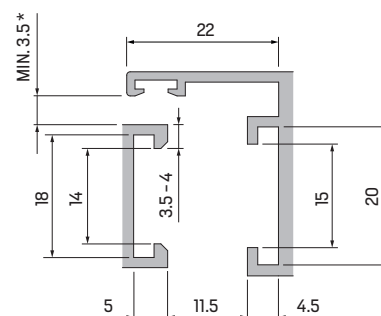
**OPENING TYPES**



DOOR OPENING (1 SASH)

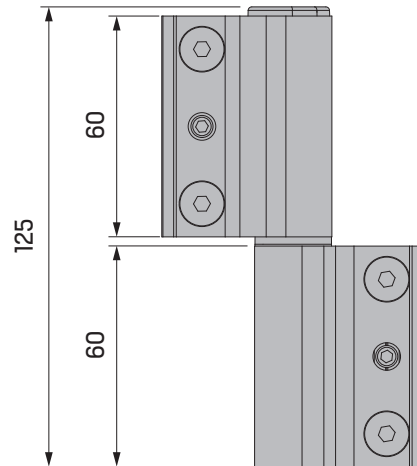
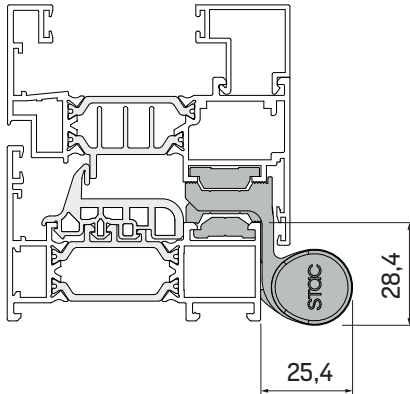
DOOR OPENING (2 SASHES)

**GROOVE TYPES**



**GENERAL DIMENSIONS**

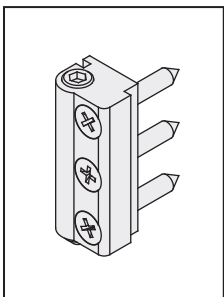
010	D	**
	I	



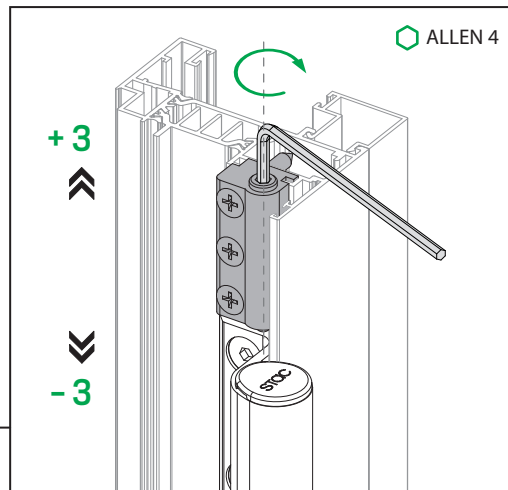
**ADJUSTMENTS**

**STC-MC-0011**

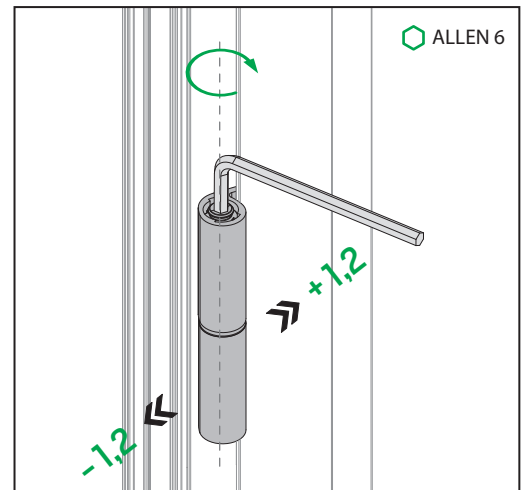
VERTICAL ADJUSTMENT PIECE



VERTICAL ADJUSTMENT WITH REFERENCE STC-MC-0011

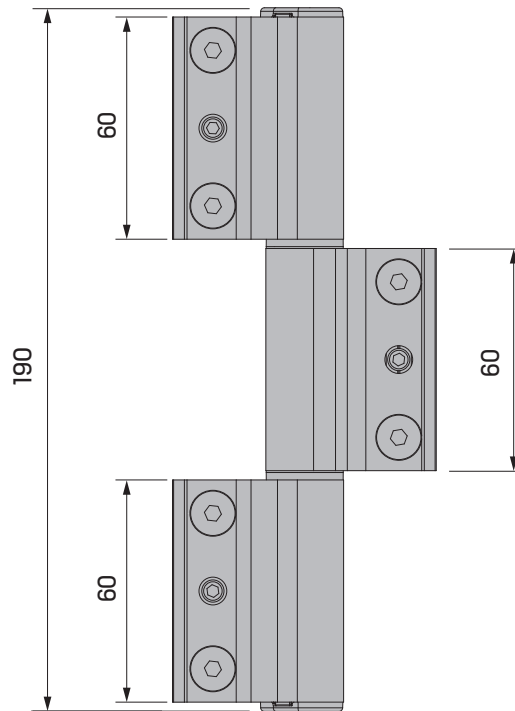
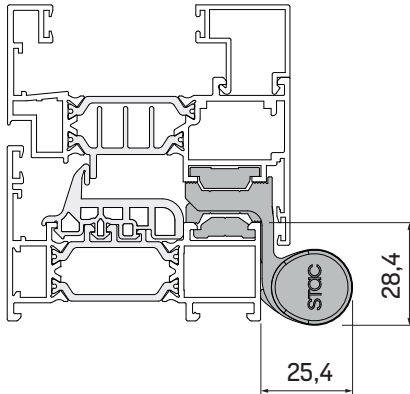


LATERAL ADJUSTMENT



GENERAL DIMENSIONS

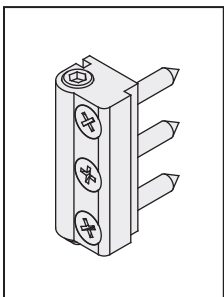
P010	D	**
------	---	----



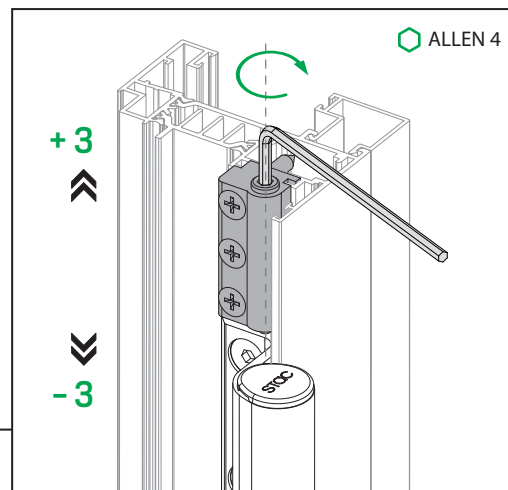
ADJUSTMENTS

STC-MC-0011

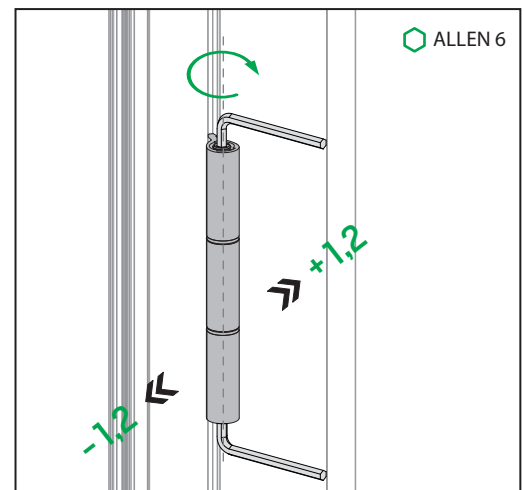
VERTICAL ADJUSTMENT PIECE



VERTICAL ADJUSTMENT WITH REFERENCE STC-MC-0011

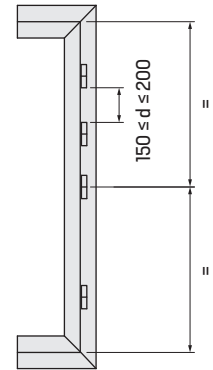
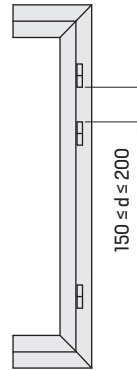
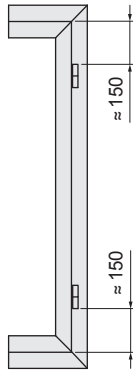
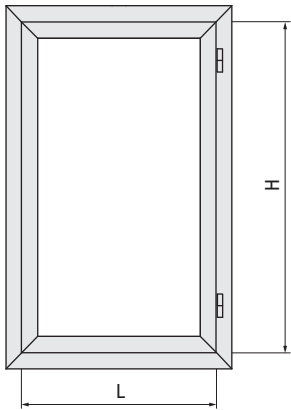


LATERAL ADJUSTMENT

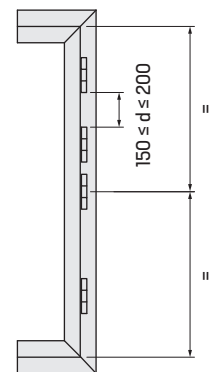
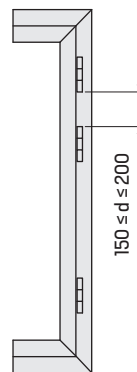
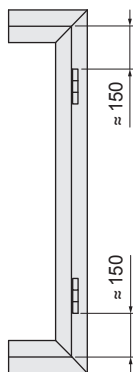
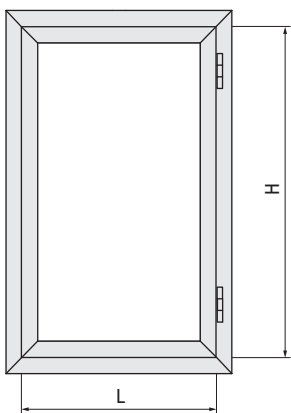


**ASSEMBLY RECOMENDATIONS**

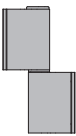
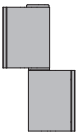
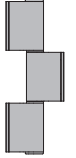
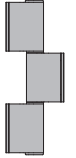
010	D	**
	I	



P010	D	**
	I	



**RECOMENDATIONS FOR USE** (kg)

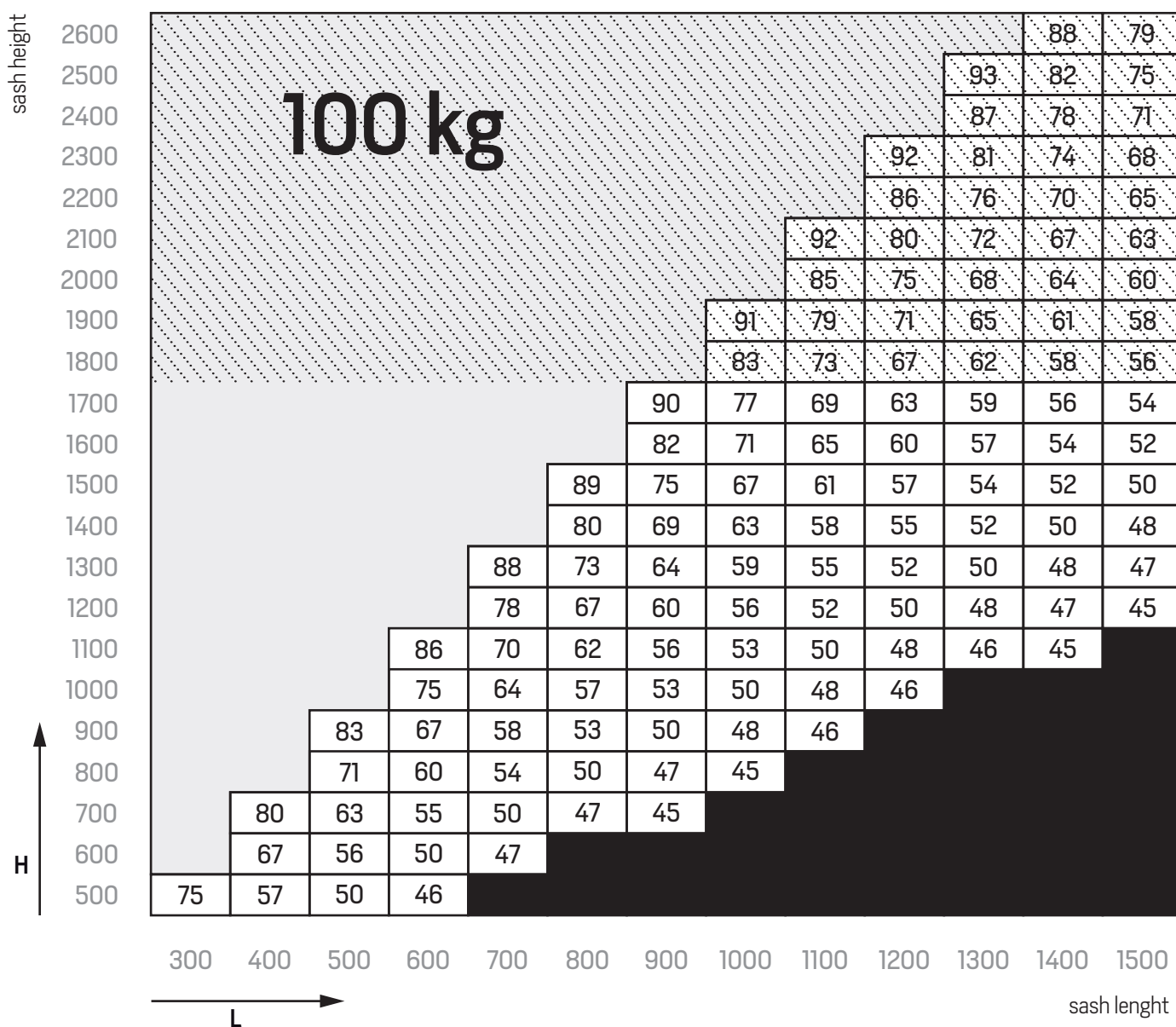
	SINGLE FAMILY HOME	APARTMENT BLOCKS / PUBLIC BUILDINGS	APARTMENT BLOCKS / PUBLIC BUILDINGS WITH LOCKED DOORS	
			WITHOUT BRAKE	WITH BRAKE
 x2	100 kg	80 kg	-	-
 x3	120 kg	100 kg	80 kg	70 kg
 x2	120 kg	100 kg	80 kg	70 kg
 x3	150 kg	130 kg	110 kg	100 kg

**WEIGHT CONFIGURATION WITH 2 HINGES 010xx: 100 kg maximum weight \***

ACRUX hinge must be fitted in compliance with the following limits table:

\* Hinges must be fitted as shown in assembly recommendations.

010	D	**
	I	



	Configuration with maximum weight
XX	Configuration with weight limitation
	Configurations not possible
	Recomendation with 3 or more hinges

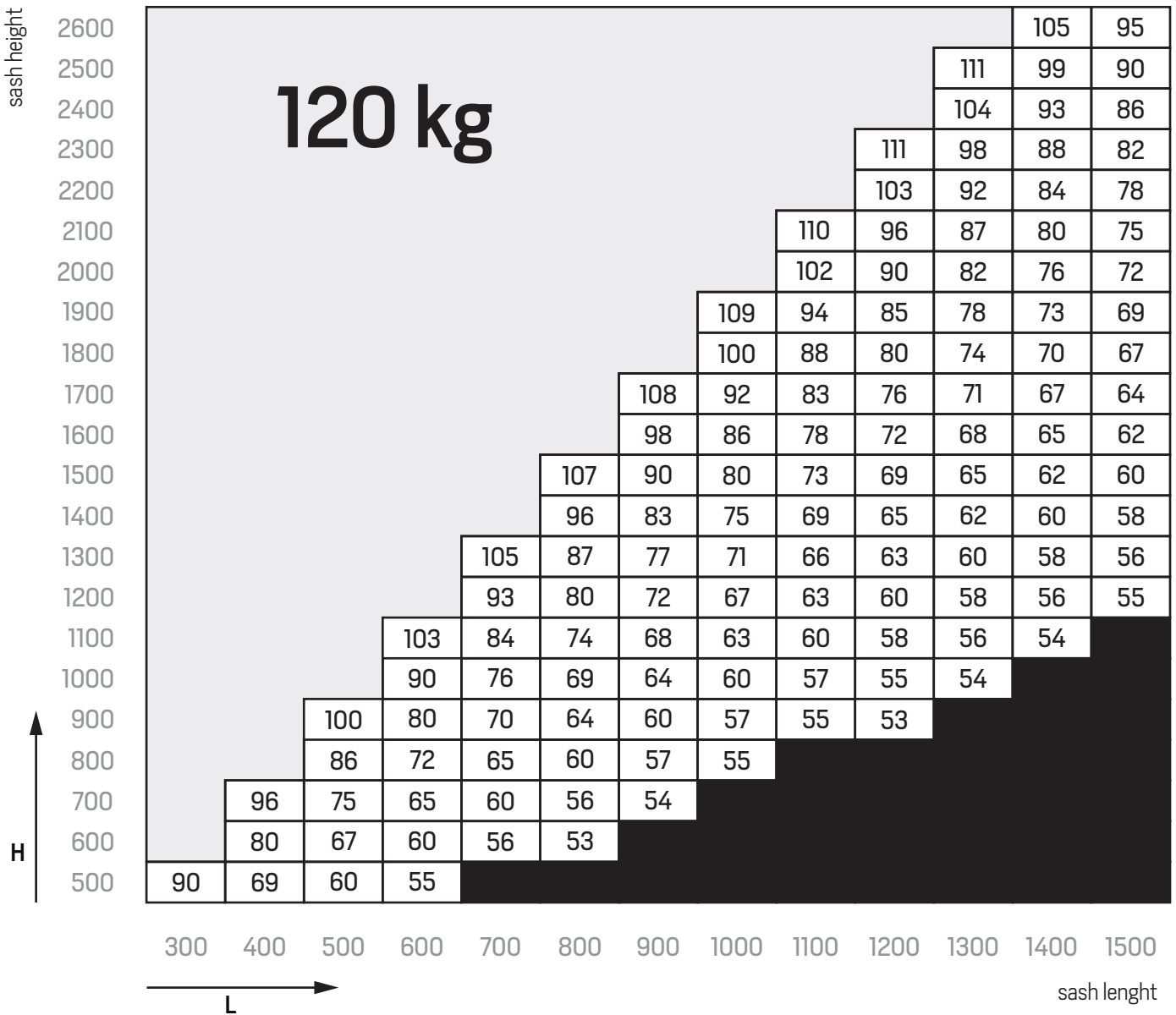
In case of configurations needed for windows with big dimensions and weights, STAC Technical Department should be contacted. Furthermore, the placement of the windows or cremones may also lead to changes in the provided configurations

**WEIGHT CONFIGURATION WITH 3 HINGES 010xx: 120 kg maximum weight \***

ACRUX hinge must be fitted in compliance with the following limits table:

\* Hinges must be fitted as shown in assembly recommendations.

010	D	**
	I	



	Configuration with maximum weight
XX	Configuration with weight limitation
	Configurations not possible
	Recomendation with 3 or more hinges

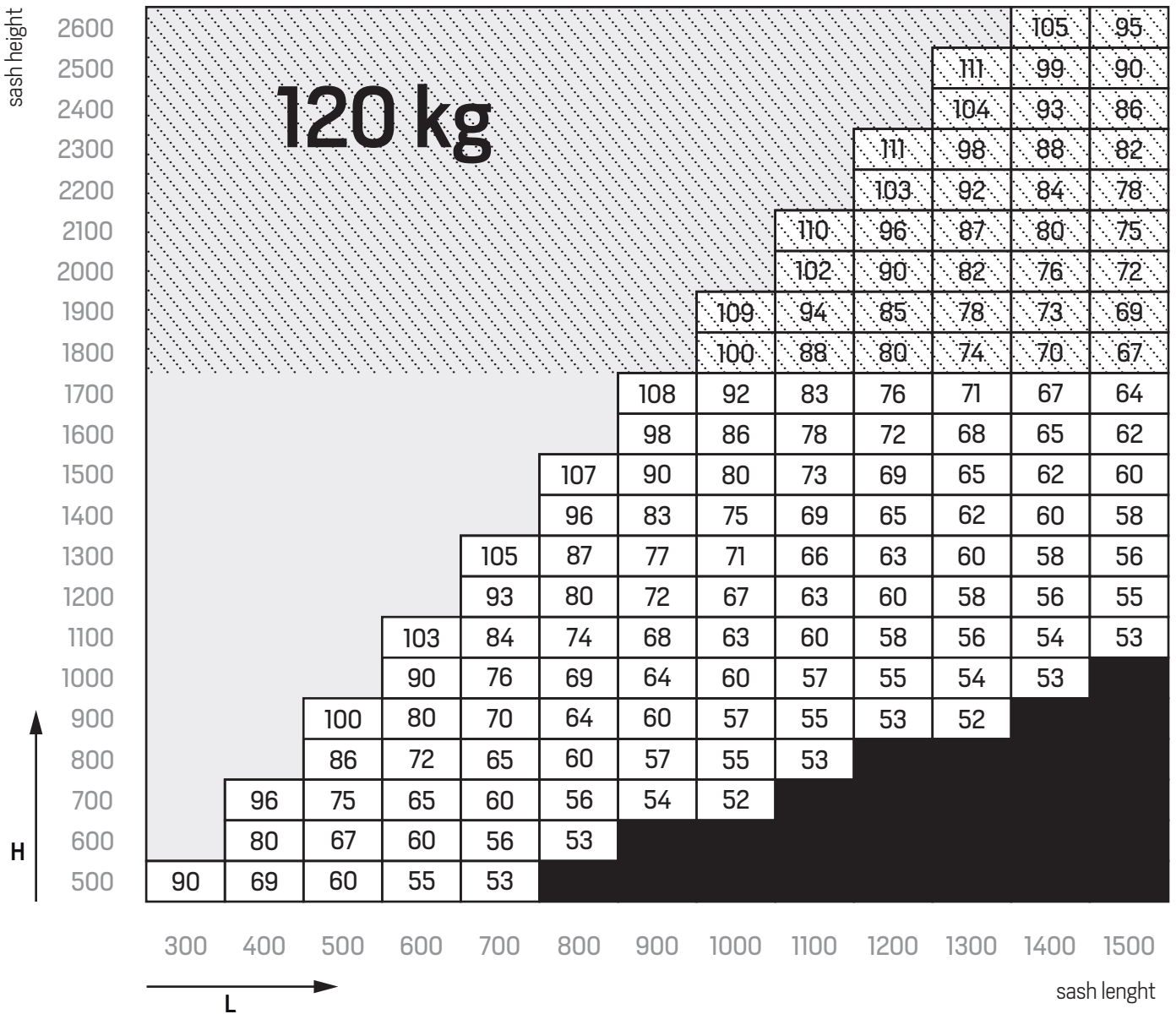
In case of configurations needed for windows with big dimensions and weights, STAC Technical Department should be contacted. Furthermore, the placement of the windows or cremones may also lead to changes in the provided configurations

**WEIGHT CONFIGURATION WITH 2 HINGES P010xx: 120 kg maximum weight \***

ACRUX hinge must be fitted in compliance with the following limits table:

\* Hinges must be fitted as shown in assembly recommendations.

P010	D	**
------	---	----



	Configuration with maximum weight
XX	Configuration with weight limitation
	Configurations not possible
	Recomendation with 3 or more hinges

In case of configurations needed for windows with big dimensions and weights, STAC Technical Department should be contacted. Furthermore, the placement of the windows or cremones may also lead to changes in the provided configurations

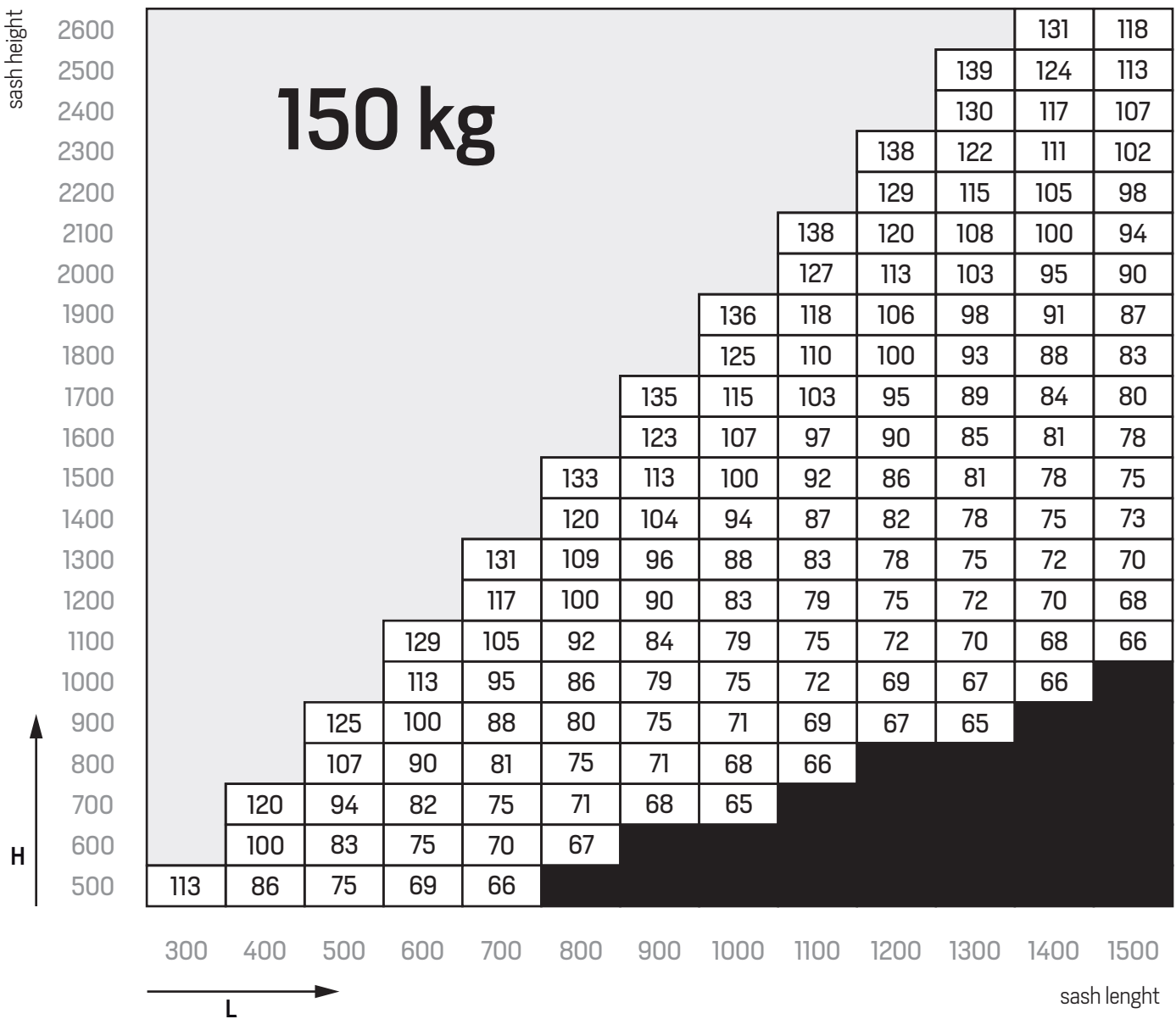


**WEIGHT CONFIGURATION WITH 3 HINGES P010xx: 150 kg maximum weight \***

ACRUX hinge must be fitted in compliance with the following limits table:

\* Hinges must be fitted as shown in assembly recommendations.

P010	D	**
------	---	----



	Configuration with maximum weight
XX	Configuration with weight limitation
	Configurations not possible
	Recomendation with 3 or more hinges

In case of configurations needed for windows with big dimensions and weights, STAC Technical Department should be contacted. Furthermore, the placement of the windows or cremones may also lead to changes in the provided configurations